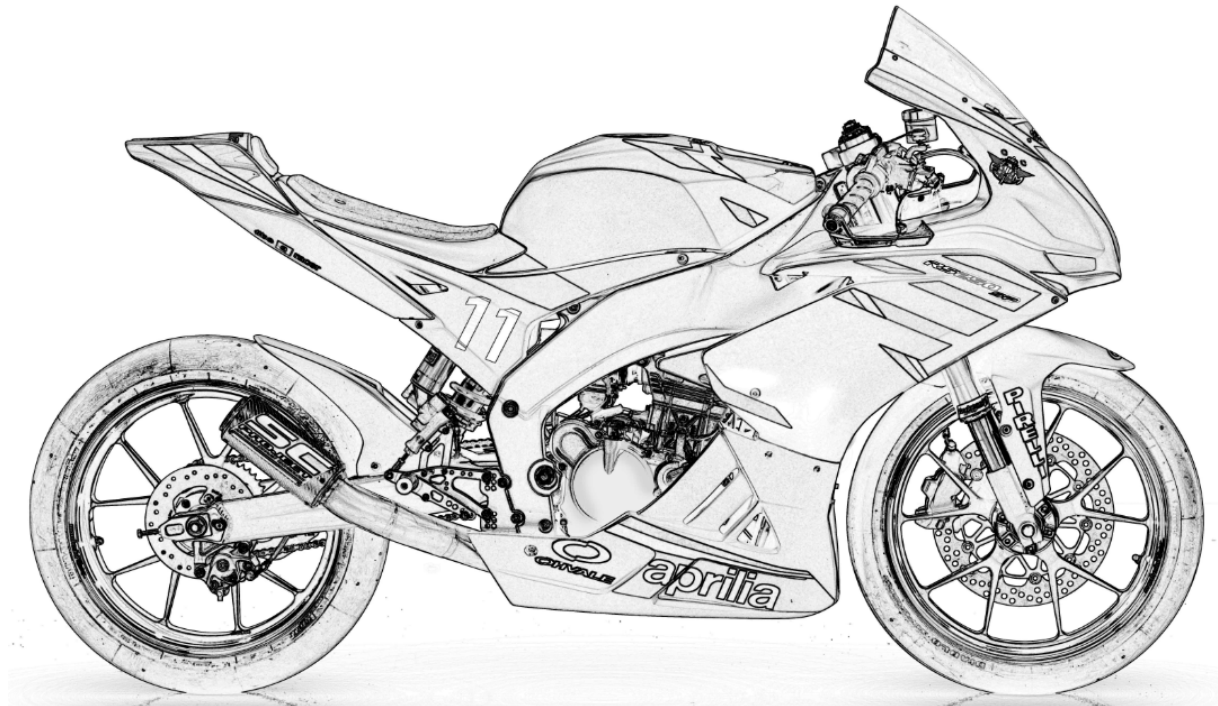


aprilia
RACING



RS250
SP2

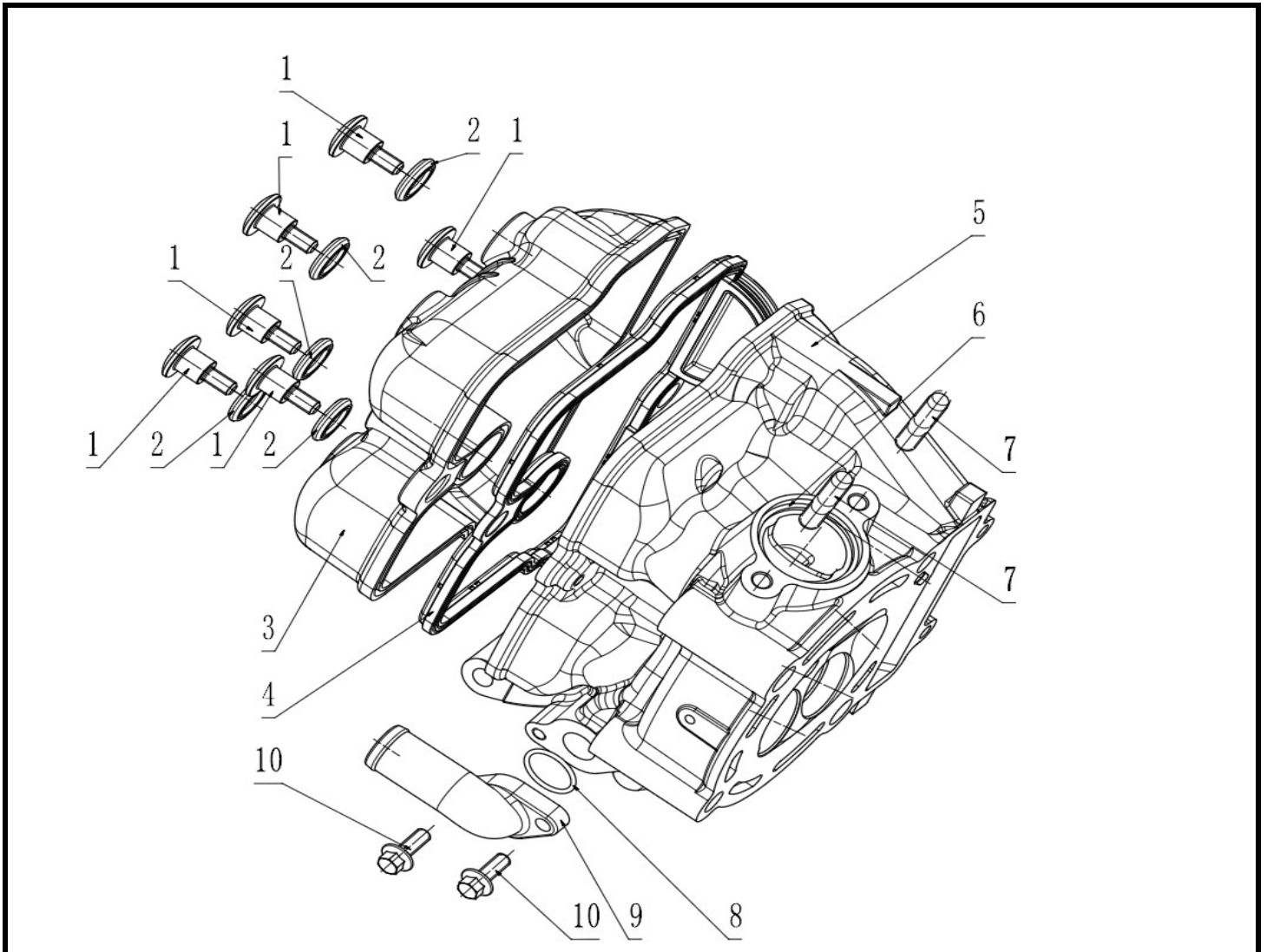
ENGINE SPARE PARTS
CATALOGUE + PRICE LIST



INDEX

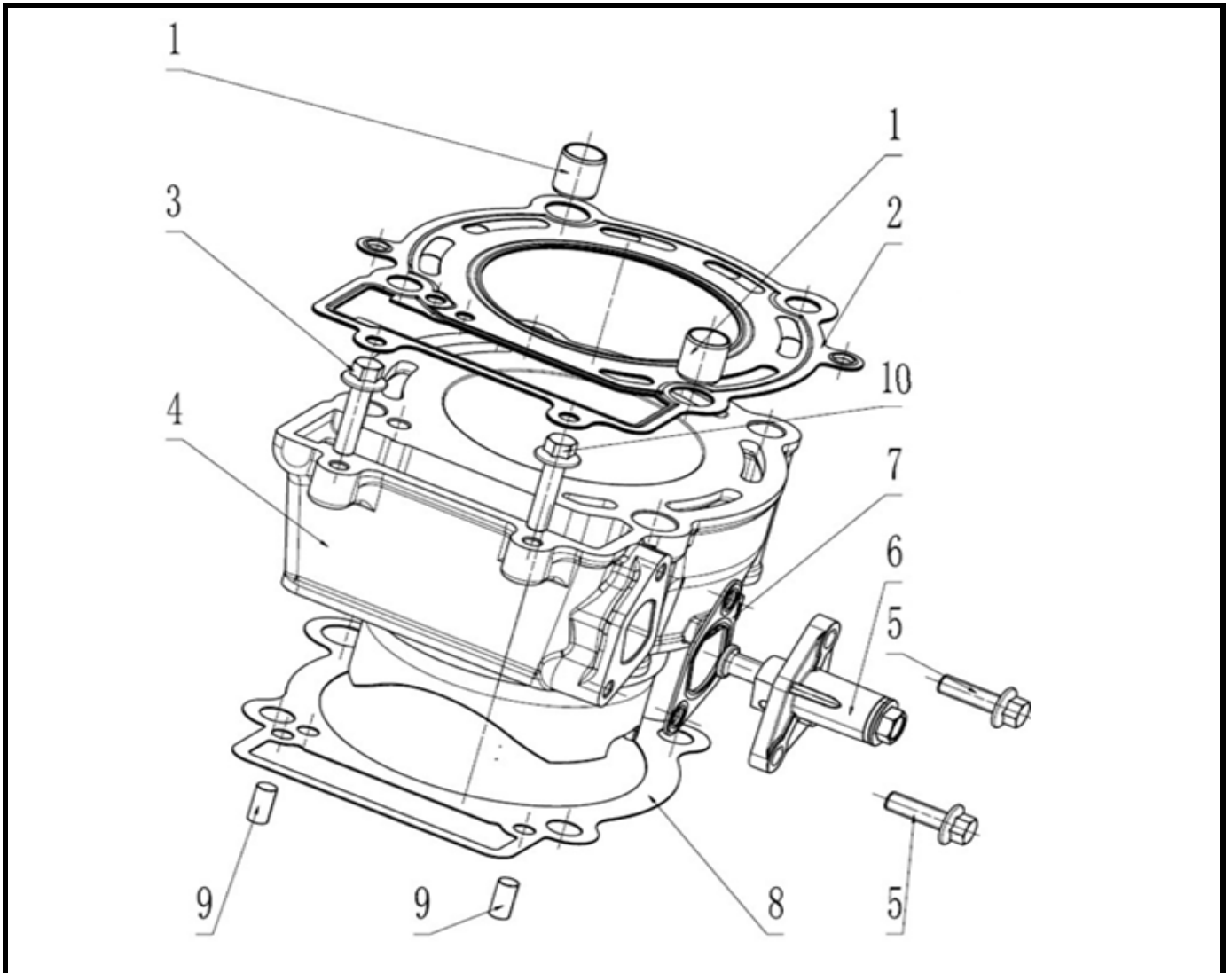
1 - CYLINDER HEAD ASSY	3
2 - CYLINDER ASSEMBLY	4
3 - VALVE MECHANISM	5
4 - RIGHT CRANKCASE COVER	8
5 - LEFT CRANKCASE COVER	9
6 - EVR CLUTCH ASSY	10
7 - OIL PUMP	11
8 - LEFT CRANKCASE	12
9 - RIGHT CRANKCASE	14
10 - CRANKSHAFT CONNECTING-ROD ASSY/PISTON	16
11 - TRANSMISSION MAIN,COUNTER SHAFT	18
12 - GEARSHIFT MECHANISM	20
13 - MAGNETO COMP	21
14 - ELECTRIC STARTING MECHANISM	22
15 - ELECTRIC and CARBURETOR	23

1 - CYLINDER HEAD ASSY



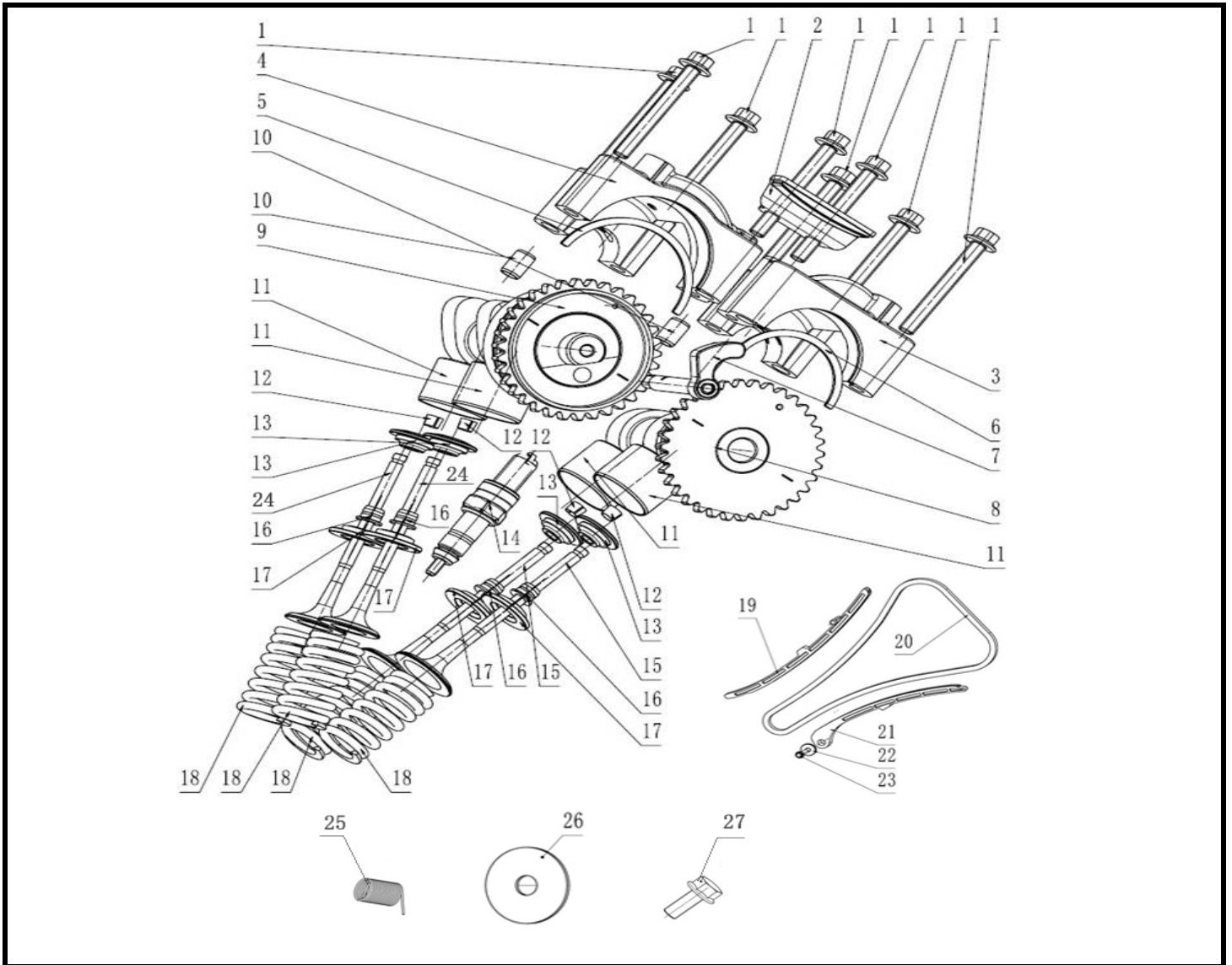
RIF	CODE	DESCRIPTION	Q.	Q.	Price CHF VAT Incl.	NOTE
1	02.SR.0101.L	Screw,M6	1	6	1.20	
2	02.SR.0102.L	Washer	1	6	1.20	
3	02.SR.0103.L	Upper Cover Cylinder Head	1	1	25.50	
4	02.SR.0104.L	Seal Ring,Of Upper Cover Cylinder Head	1	1	33.20	
5	02.SP2.0105.L	Cylinder Head assembliy	1	1	163.00	
6	02.SR.0106.L	Packing Silencer	1	1	2.10	
7	02.SR.0107.L	Bolt,M8×40	1	2	1.80	
8	02.SR.0108.L	O_Ring,φ19×1.8	1	1	4.60	
9	02.SR.0109.L	Output Water Nozzle Of Cylinder Head	1	1	17.10	
10	02.SR.0110.L	Bolt, M6×20	1	2	1.20	

2 - CYLINDER ASSEMBLY



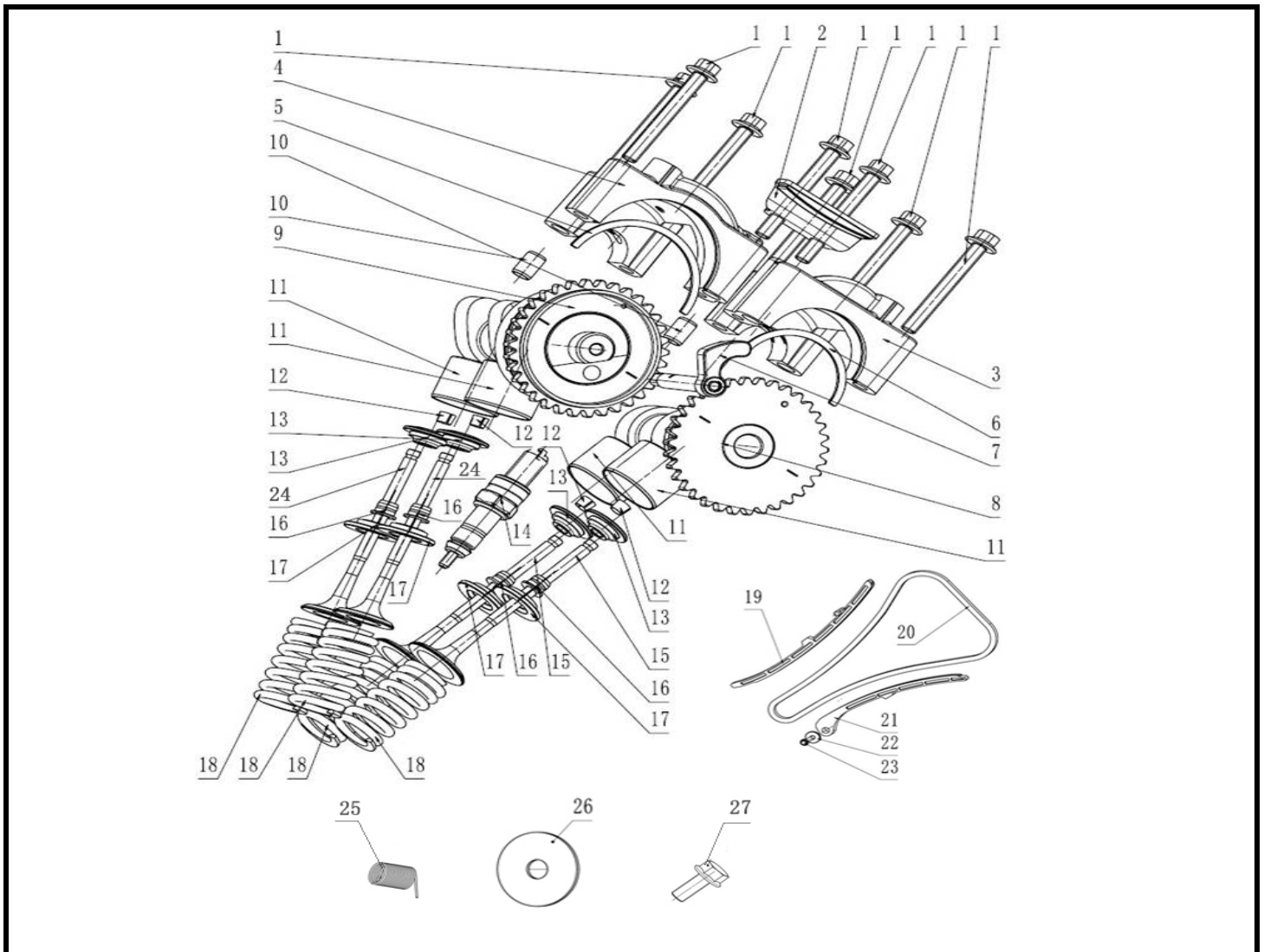
RIF	CODE	DESCRIPTION	Q.	Q.	Price CHF VAT Incl.	NOTE
1	02.SR.0201.L	Dowel Pin, $\phi 13 \times 14$	1	2	1.20	
2	02.SR.0202.L	Gasket Assy Cylinder Head	1	1	13.70	
3	02.SR.0203.L	Bolt, M6 \times 25	1	1	1.20	
4	02.SR.0204.L	Cylinder Block	1	1	170.00	
5	02.SR.0110.L	Bolt, M6 \times 20	1	2	1.20	
6	02.SR.0206.L	Chain Tensioning Wheel	1	1	13.60	
7	02.SR.0207.L	Gasket Tensioner	1	1	1.80	
8	02.SR.0208.L1	Gasket Cylinder Block 0,5	1	1	9.10	
9	02.SR.0208.L2	Gasket Cylinder Block 0,8	1	1	9.10	
9	02.SR.0209.L	Pin, $\phi 6 \times 12$	1	2	1.80	
10	02.SR.0210.L	Drilled head Bolt, M6 \times 25	1	1	3.50	

3 - VALVE MECHANISM



RIF	CODE	DESCRIPTION	Q.	Q.	Price CHF VAT Incl.	NOTE
1	02.SR.0301.L	Bolt	1	8	1.20	
2	02.SR.0302.L	Clamp	1	1	3.50	
3	02.SR.0303.L	Cover Admission Inlet Camshaft	1	1	37.50	
4	02.SR.0304.L	Cover Admission Exhaust Camshaft	1	1	37.50	
5	02.SR.0305.L	C-Type Annulus	1	1	1.40	
6	02.SR.0306.L	C-Type Annulus	1	1	1.40	
7	02.SR.0307.L	Centrifugal Mass Ass.	1	1	27.30	
8	02.SP2.0308.L	Gamp Shaft Comp	1	1	86.30	
9	02.SP2.0309.L	Gamp Shaft Comp	1	1	98.00	
10	02.SP2.0310.L	Pin	1	4	2.00	
12	02.SR.0312.L	Valve Locker	1	8	1.40	

3 - VALVE MECHANISM

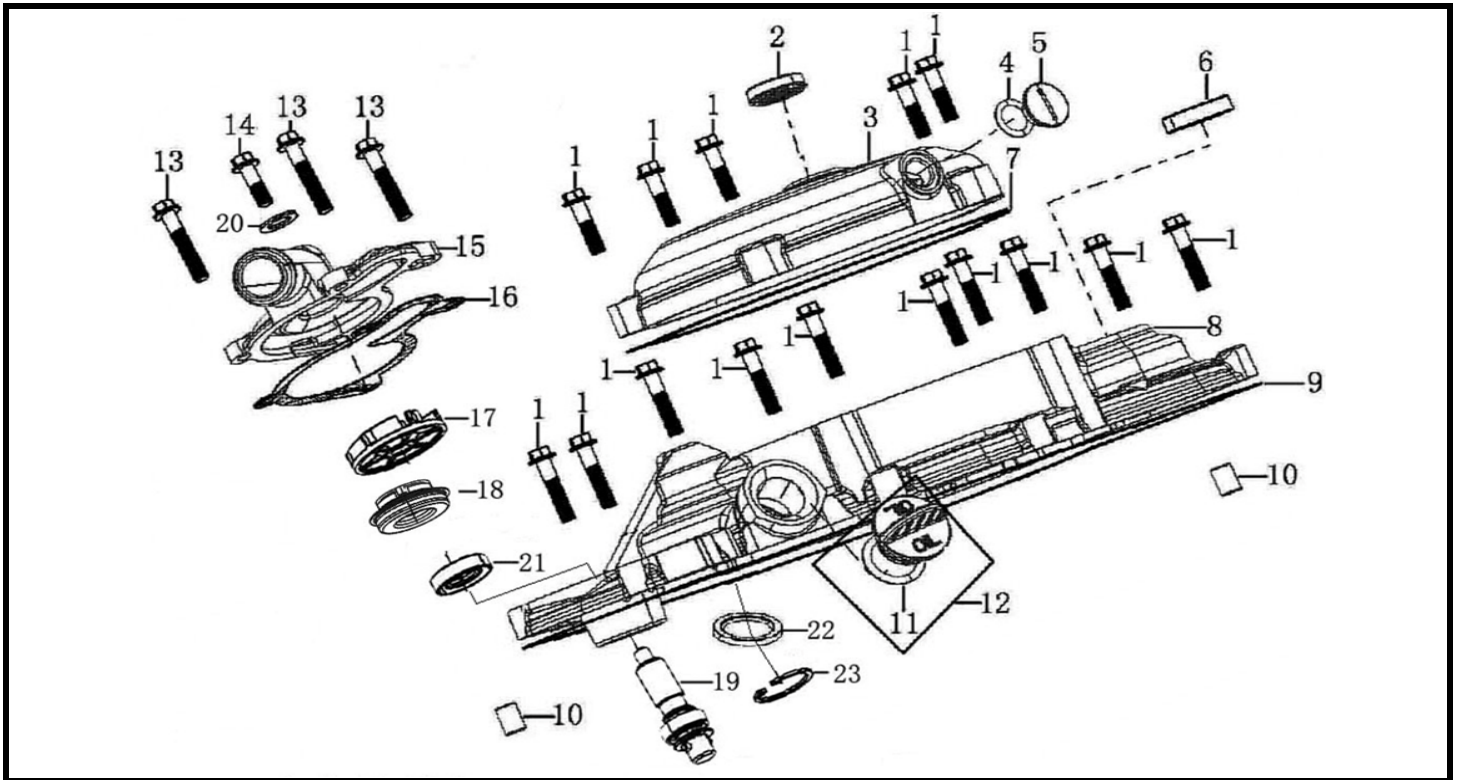


RIF	CODE	DESCRIPTION	Q.	Q.	Price CHF VAT Incl.	NOTE
13	02.SP2.0313.L	Outer Valve SpRing,Retainer	1	4	2.90	
14	02.SR.0314.L	Spark Plug NGK CR8EIX	1	1	18.40	
15	02.SP2.0315.L	Inlet Valve	1	2	22.80	
16	02.SR.0316.L	Seal Valve Stem	1	4	3.80	
17	02.SP2.0317.L	Outer Valve SpRing,Retainer	1	4	1.80	
18	02.SP2.0318.L	Valve Spring	1	4	9.80	
19	02.SP2.0319.L	Sliding Block	1	1	17.80	
20	02.SP2.0320.L	Sproket chain	1	1	80.90	
21	02.SP2.0321.L	Tension Plate Assy	1	1	19.90	
22	02.SR.0322.L	Bush	1	1	8.00	
23	02.SR.0323.L	Bolt, M5×25	1	1	1.20	
24	02.SP2.0324.L	Exhaust Valve	1	2	21.60	
25	02.SP2.0325.L	Decompression SpRing,Of Camshaft	1		3.50	
26	02.SP2.0326.L	Washer,φ6.5×2×φ25	1		2.30	
27	02.SR.0110.L	Bolt, M6×20	1		1.20	

3 - VALVE MECHANISM

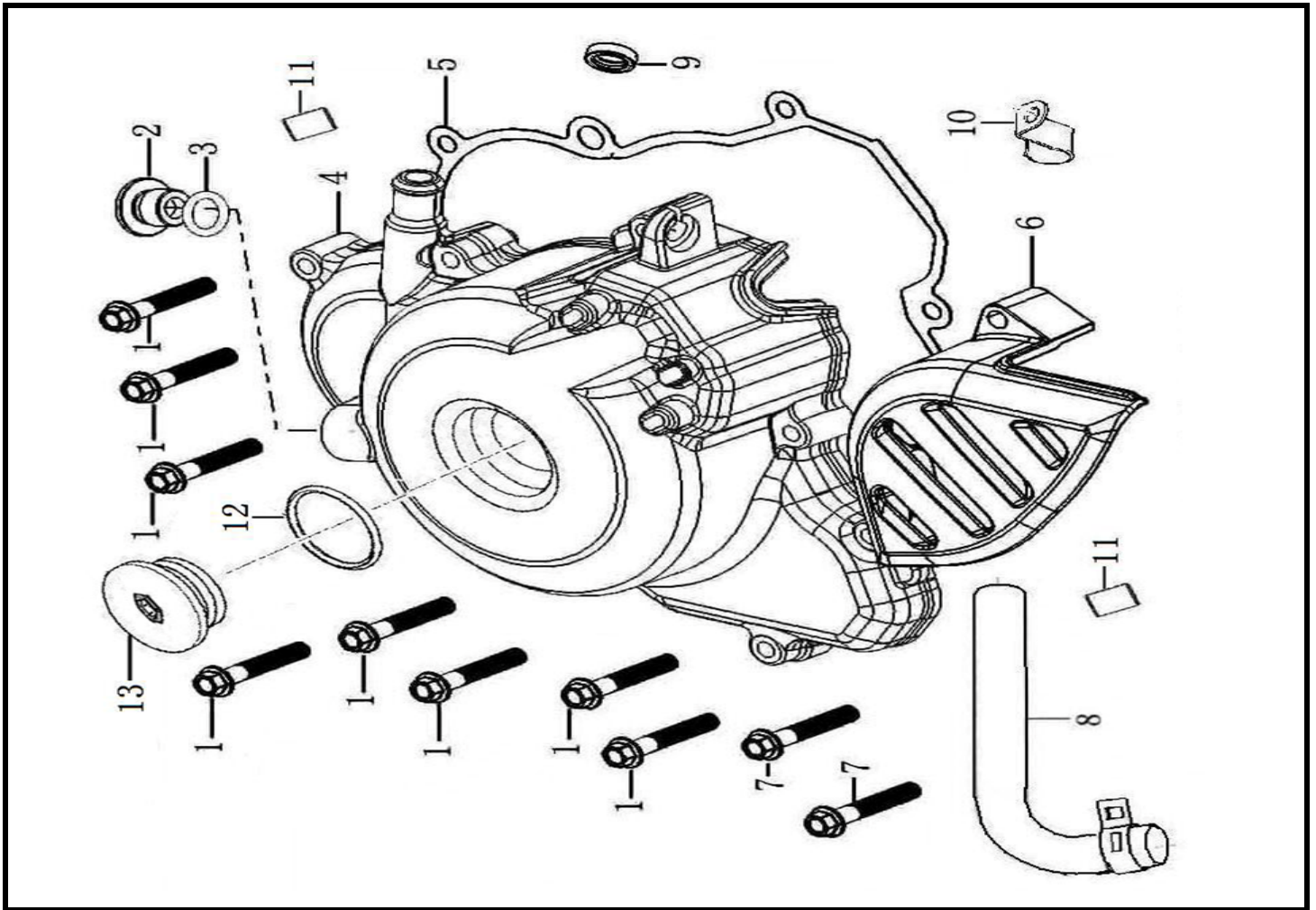
RIF	CODE	DESCRIPTION	Q.	Q.	Price CHF VAT Incl.	NOTE
11	02.SR.0311.L1	Valve tappet 290	1		18.10	
11	02.SR.0311.L2	Valve tappet 292	1		18.10	
11	02.SR.0311.L3	Valve tappet 294	1		18.10	
11	02.SR.0311.L4	Valve tappet 296	1		18.10	
11	02.SR.0311.L5	Valve tappet 298	1		18.10	
11	02.SR.0311.L6	Valve tappet 300	1		18.10	
11	02.SR.0311.L7	Valve tappet 302	1		18.10	
11	02.SR.0311.L8	Valve tappet 304	1		18.10	
11	02.SR.0311.L9	Valve tappet 306	1		18.10	
11	02.SR.0311.L10	Valve tappet 308	1		18.10	
11	02.SR.0311.L11	Valve tappet 310	1		18.10	
11	02.SR.0311.L12	Valve tappet 312	1		18.10	
11	02.SR.0311.L13	Valve tappet 314	1		18.10	
11	02.SR.0311.L14	Valve tappet 316	1		18.10	
11	02.SR.0311.L15	Valve tappet 318	1		18.10	
11	02.SR.0311.L16	Valve tappet 320	1		18.10	
11	02.SR.0311.L17	Valve tappet 322	1		18.10	
11	02.SR.0311.L18	Valve tappet 324	1		18.10	
11	02.SR.0311.L19	Valve tappet 326	1		18.10	
11	02.SR.0311.L20	Valve tappet 328	1		18.10	
11	02.SR.0311.L21	Valve tappet 330	1		18.10	
11	02.SR.0311.L22	Valve tappet 332	1		18.10	
11	02.SR.0311.L23	Valve tappet 334	1		18.10	
11	02.SR.0311.L24	Valve tappet 336	1		18.10	
11	02.SR.0311.L25	Valve tappet 338	1		18.10	
11	02.SR.0311.L26	Valve tappet 340	1		18.10	
11	02.SR.0311.L27	Valve tappet 342	1		18.10	
11	02.SR.0311.L28	Valve tappet 344	1		18.10	
11	02.SR.0311.L29	Valve tappet 346	1		18.10	
11	02.SR.0311.L30	Valve tappet 348	1		18.10	
11	02.SR.0311.L31	Valve tappet 350	1		18.10	
11	02.SR.0311.L32	Valve tappet 352	1		18.10	
11	02.SR.0311.L33	Valve tappet 354	1		18.10	
11	02.SR.0311.L34	Valve tappet 356	1		18.10	
11	02.SR.0311.L35	Valve tappet 358	1		18.10	
11	02.SR.0311.L36	Valve tappet 360	1		18.10	
11	02.SR.0311.L37	Valve tappet 362	1		18.10	
11	02.SR.0311.L38	Valve tappet 364	1		18.10	
11	02.SR.0311.L39	Valve tappet 366	1		18.10	
11	02.SR.0311.L40	Valve tappet 368	1		18.10	
11	02.SR.0311.L41	Valve tappet 370	1		18.10	
11	02.SR.0311.L42	Valve tappet 372	1		18.10	
11	02.SR.0311.L43	Valve tappet 374	1		18.10	
11	02.SR.0311.L44	Valve tappet 376	1		18.10	
11	02.SR.0311.L45	Valve tappet 378	1		18.10	
11	02.SR.0311.L46	Valve tappet 380	1		18.10	

4 - RIGHT CRANKCASE COVER



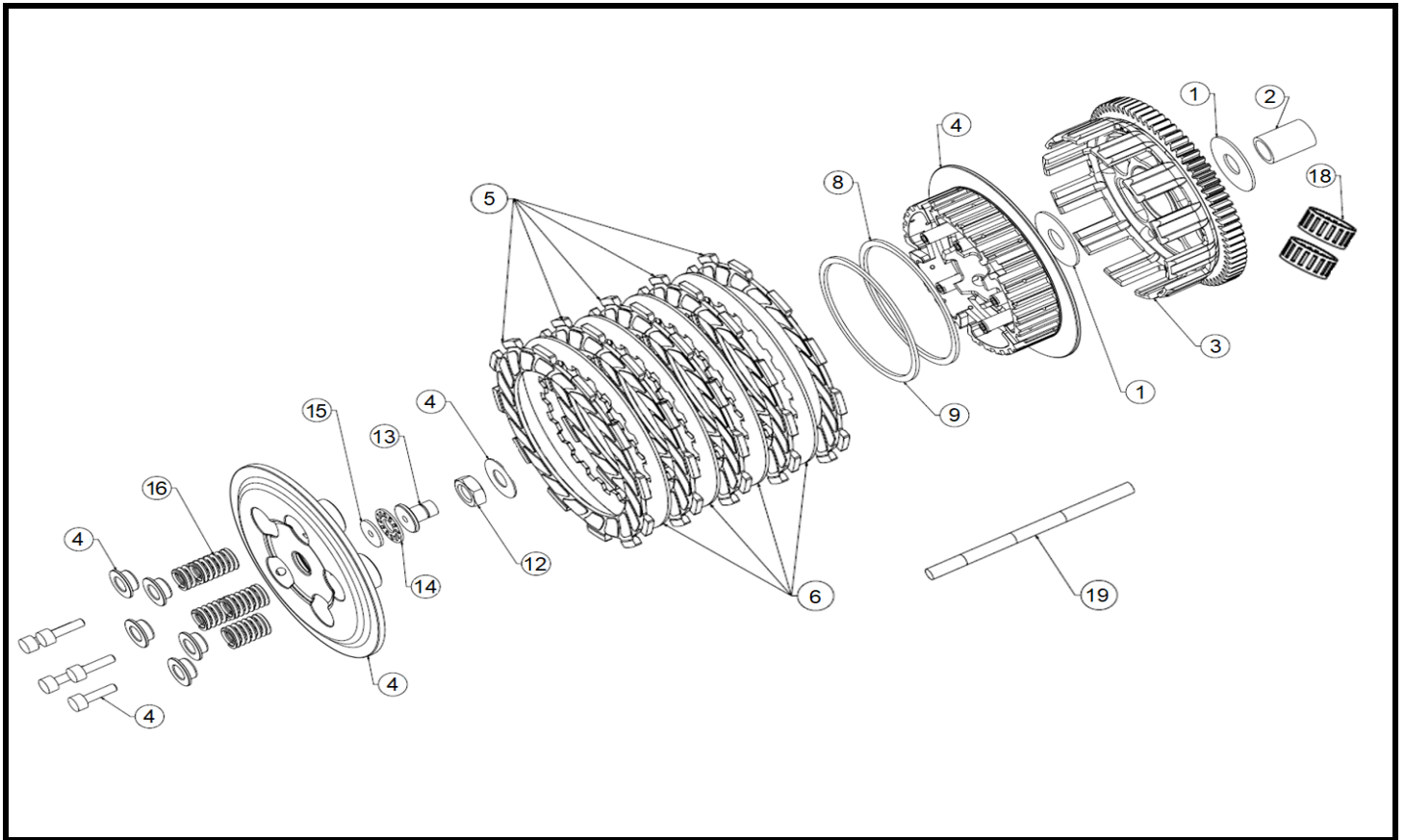
RIF	CODE	DESCRIPTION	Q.	Q.	Price CHF VAT Incl.	NOTE
1	02.SR.0401.L	Bolt, M6×30	1	15	1.20	
2	02.SR.0402.L	Oil Lelve Sight Window	1	1	5.50	
3	02.SP2.0403.L	SILVER Cover R.Crankcase Cover	1	1	37.40	
4	02.SR.0404.L	O-Ring,φ13.2×2.65	1	1	3.50	
5	02.SR.0405.L	Cap Small View Hole	1	1	1.30	
6	02.SR.0406.L	Oil Seal 18×30×7	1	1	4.60	
7	02.SR.0407.L	Gasket Decotate Cover	1	1	18.90	
8	02.SP2.0408.L	SILVER Cover Comp Right Crankcase	1	1	63.30	
9	02.SR.0409.L	Gasket R.Crankcase Cover	1	1	24.40	
10	02.SR.0410.L	Dowel Pin,φ9×13	1	2	1.20	
11	02.SR.0411.L	O-Ring,φ18×3.55	1	1	3.50	
12	02.SR.0412.L	Oil Plug Assy	1	1	6.90	
13	02.SR.0413.L	Bolt, M6×35	1	3	1.80	
14	02.SR.0110.L	Bolt, M6×20	1	1	1.20	
15	02.SR.0415.L	Water Pump Cover	1	1	12.80	
16	02.SR.0416.L	Gasket	1	1	3.50	
17	02.SR.0417.L	Ane Wheel Water Pump	1	1	12.30	
18	02.SR.0418.L	Water Pump Seal	1	1	51.90	
19	02.SR.0419.L	Shaft Water Pump Ass.	1	1	16.40	
20	02.SR.0420.L	Washer,φ6.5×1.5×φ12	1	1	1.20	
21	02.SR.0421.L	Oil Seal 12×24×6	1	1	5.00	
22	02.SR.0422.L	Oil Seal 14×24×7	1	1	5.30	
23	02.SR.0423.L	Retaining Ring, 24	1	1	1.20	

5 - LEFT CRANKCASE COVER



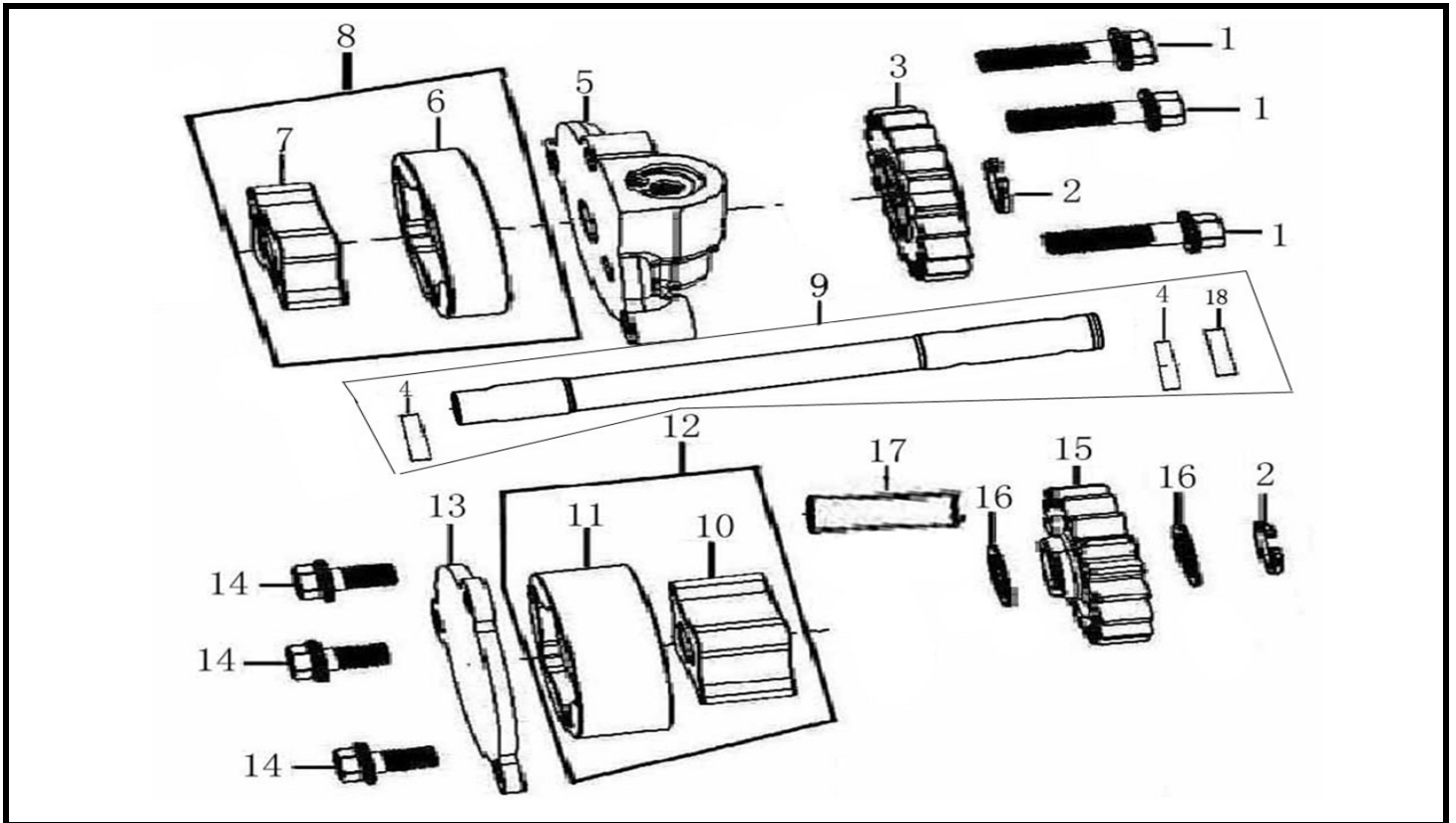
RIF	CODE	DESCRIPTION	Q.	Q.	Price CHF VAT Incl.	NOTE
1	02.SR.0413.L	Bolt, M6×35	1	9	1.20	
2	02.SR.0502.L	Bolt	1	1	1.20	
3	02.SR.0503.L	O-Ring, φ11.8×2.6	1	1	2.30	
4	02.SP2.0504.L	SILVER NC250 left cover	1	1	56.20	
5	02.SR.0505.L	Gasket Cylinder Head Upper Cover	1	1	8.00	
6	02.SR.0506.L	Back Part L.Crankcase Cover	1	1	6.20	
7	02.SR.0401.L	Bolt, M6×30	1	2	1.20	
8	02.SR.0508.L	Pipe Assy	1	1	2.90	
9	02.SR.0509.L	Oil Seal 10×18×6	1	1	4.30	
10	02.SR.0510.L	Fixing Plate Magneto Cable	1	1	1.20	
11	02.SR.0410.L	Dowel Pin, φ9×13	1	2	1.20	
12	02.SR.0512.L	O-Ring, φ22.5×3.55	1	1	2.30	
13	02.SR.0513.L	Cap Big View Hole	1	1	4.60	

6 - EVR CLUTCH ASSY



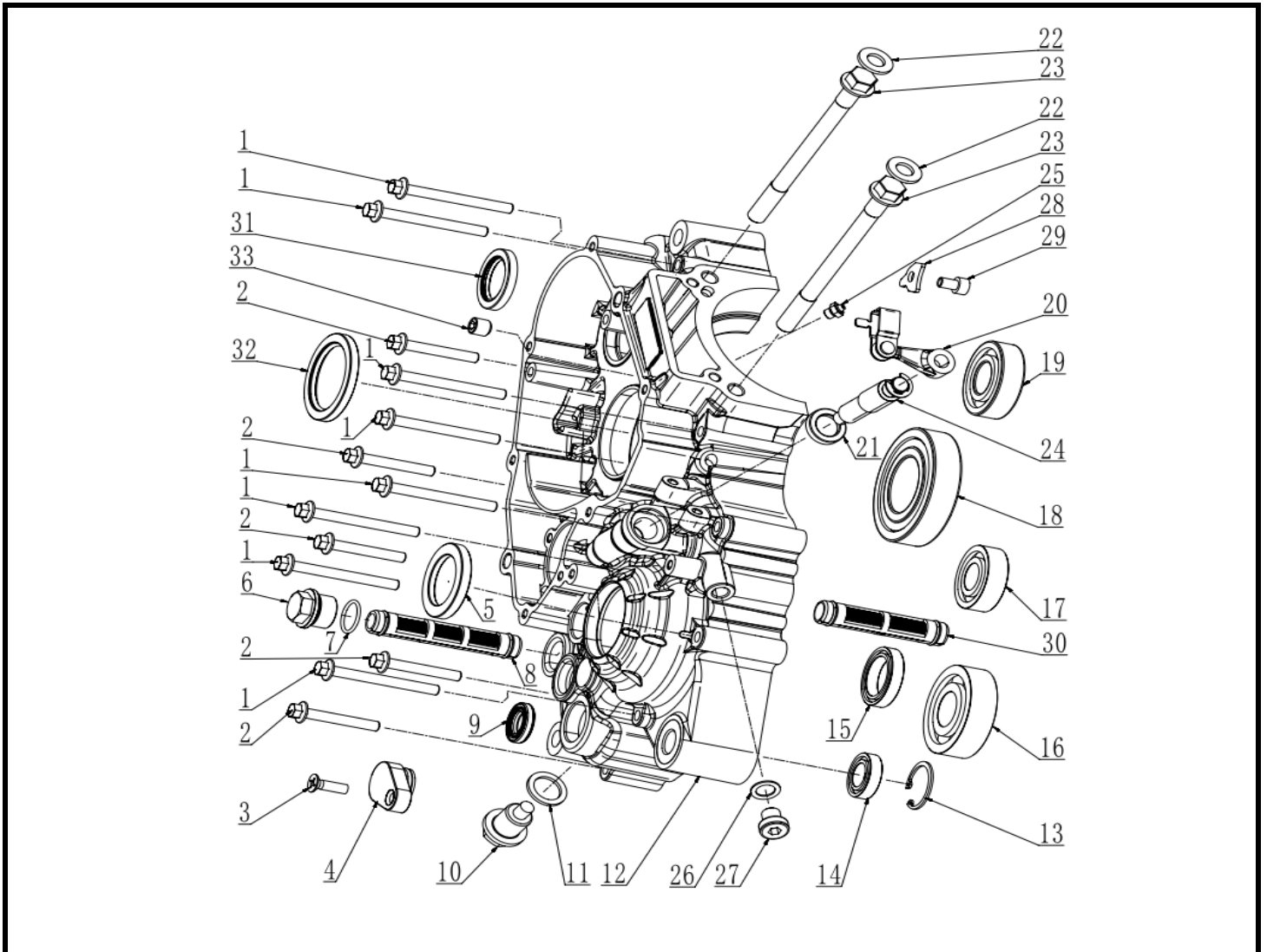
RIF	CODE	DESCRIPTION	Q.	Q.	Price CHF VATIncl.	NOTE
1	02.SR.0601.L	Washer 20,2x1,8x34	1		3.50	
2	02.SR.0602.L	Sleeve clutch	1		10.30	
3	02.SR.0603.L	Out Case Assembly Clutch	1	1	177.30	
4	02.MO.0300.L	EVR Complete Antislip Clutch	1	1	817.50	
5	02.SR.0605.L	Drive Friction Disk SET	1	6	96.60	
6	02.SR.0606.L	Outer Friction Disk SET	1	5	45.50	
8	02.SR.0621.L	Ring 1	1	2	9.10	
9	02.SR.0622.L	Ring 2	1	1	9.10	
12	02.SR.0608.L	Lock Nut,Clutch	1	1	4.90	
13	02.SR.0609.L	Rod Clutch Push	1	1	17.30	
14	02.SR.0610.L	BeaRing,(Axk1528)	1	1	8.00	
15	02.SR.0611.L	Washer,φ15×1×φ28	1	1	1.40	
16	02.SR.0612.L	SpRing,Clutch	1	6	12.50	
18	02.SR.0618.L	Needle bearing	1		6.90	
19	02.SR.0617.L	Pushing Rod Clutch	1	1	3.70	

7 - OIL PUMP



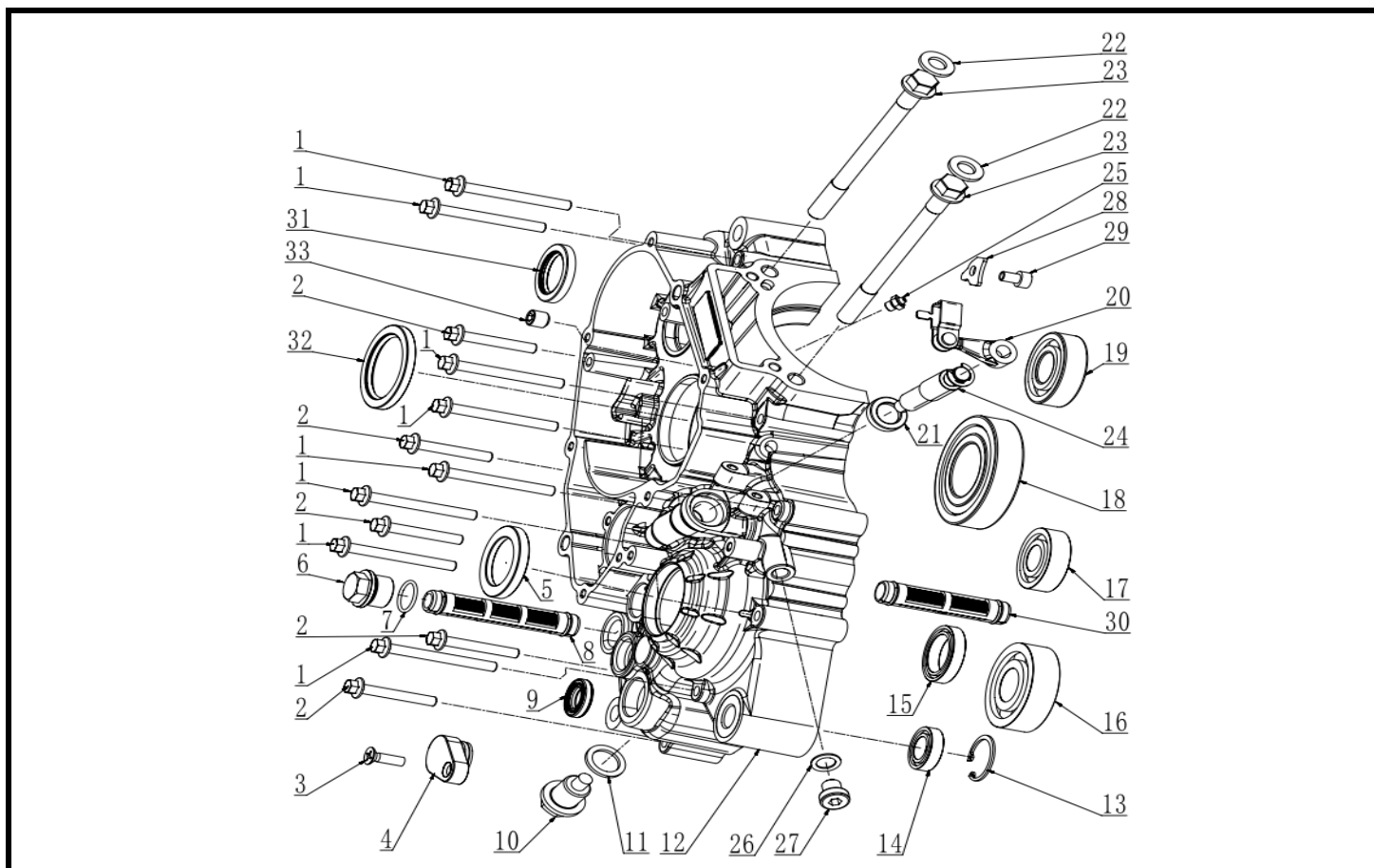
RIF	CODE	DESCRIPTION	Q.	Q.	Price CHF VAT Incl.	NOTE
1	02.SP2.0701.L	Bolt, M6x18	1	3	1.20	
2	02.SR.0702.L	Retaining Ring, 10	1	2	1.20	
3	02.SP2.0703.L	Oil pump gear	1	1	8.90	
4	02.SR.0704.L	Pin, φ4x15.8	1	2	2.20	
5	02.SP2.0705.L	Oil Pump Cover	1	1	19.70	
6	02.SP2.0706.L	Outer Rotor Oil Pump	1	1	4.30	
7	02.SP2.0707.L	Inner Rotor Oil Pump	1	1	7.30	
8	02.SP2.0708.L	Rotor assembly for oil pump	1	1	12.30	
9	02.SP2.0709.L	Shaft Oil Pump	1	1	9.60	
10	02.SP2.0710.L	Inner Rotor Oil Pump	1	1	13.60	
11	02.SP2.0711.L	Outer Rotor Oil Pump	1	1	8.10	
12	02.SP2.0712.L	Rotor assembly for oil pump	1	1	20.70	
13	02.SP2.0713.L	Oil Pump Cover	1	1	6.40	
14	02.SP2.0714.L	Bolt, M6x12	1	3	1.20	
15	02.SP2.0715.L	Oil pump bridge gear	1	1	8.70	
16	02.SR.0716.L	Washer, φ10.2x0.5xφ15	1	2	2.30	
17	02.SR.0717.L	Oil Pump Gear Shaft	1	1	3.50	
18	02.SR.0718.L	Pin, φ3x16	1	1	2.20	

8 - LEFT CRANKCASE



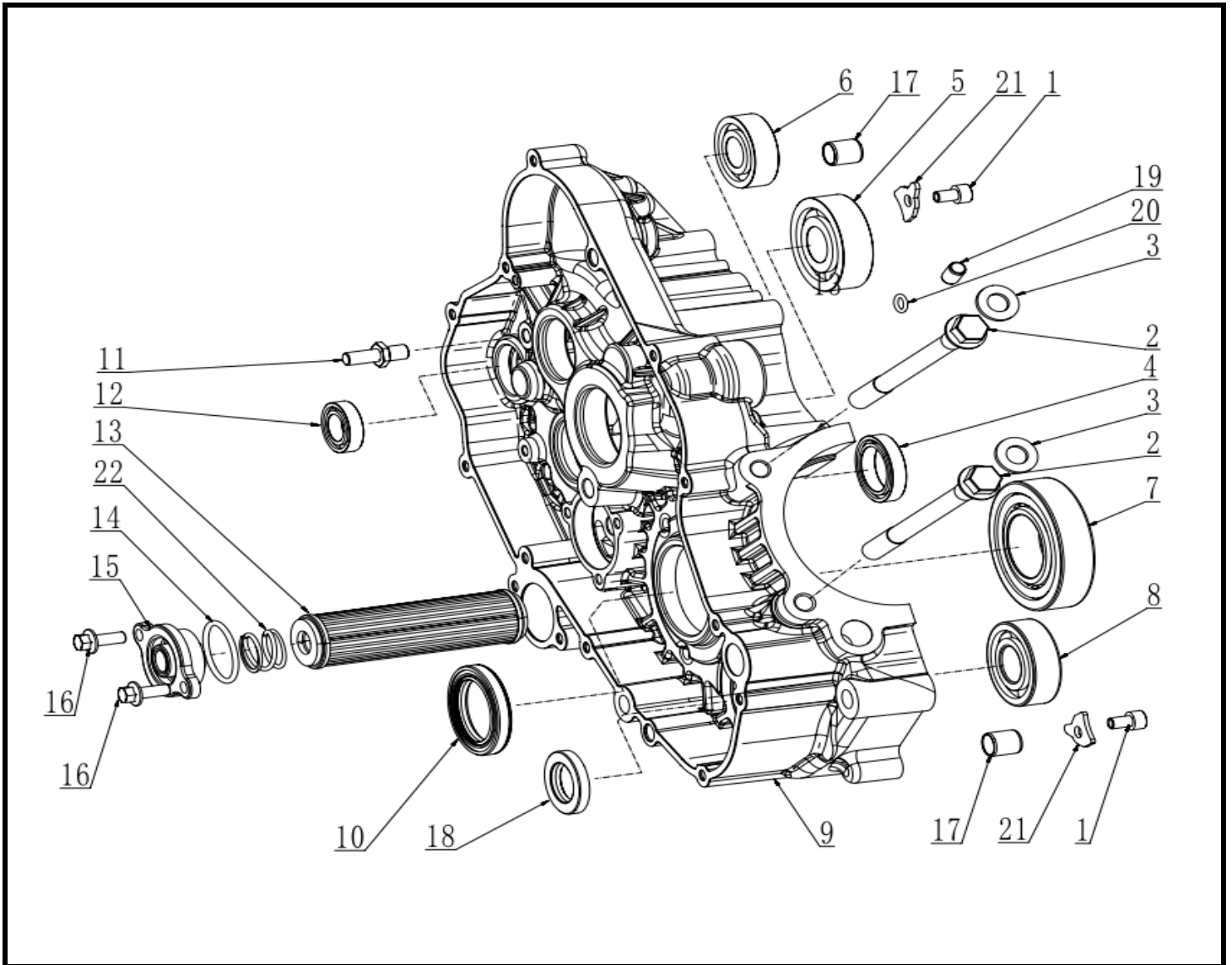
RIF	CODE	DESCRIPTION	Q.	Q.	Price CHF VAT Incl.	NOTE
1	02.SR.0801.L	Bolt, M6×65	1	8	1.20	
2	02.SR.0802.L	Bolt, M6×45	1	5	1.20	
3	02.SR.0803.L	Screw, M6×20	1	1	1.20	
4	02.SR.0804.L	Gearshift Switch Comp	1	1	10.60	
5	02.SR.0805.L	Oil Seal 32×47×6	1	1	5.80	
6	02.SR.0806.L	Cover Oil Filter Screen	1	1	3.90	
7	02.SR.0807.L	O-Ring, φ17.5×1.8	1	1	1.20	
8	02.SR.0808.L	Strainer Oil Filter	1	1	4.50	
9	02.SR.0809.L	Oil Seal 15×25×5	1	1	4.00	
10	02.SR.0810.L	Drain Bolt	1	1	4.40	
11	02.SR.0811.L	Washer, φ16.5×2×φ23	1	1	1.80	
12	02.SP2.0812.L	Left Crankcase Block	1	1	102.30	
13	02.SR.0813.L	Retaining Ring, 28	1	1	3.50	
14	02.SR.0814.L	Bearing, 61902	1	1	8.70	
15	02.SR.0815.L	BeaRing,(61805)	1	1	12.90	

8 - LEFT CRANKCASE



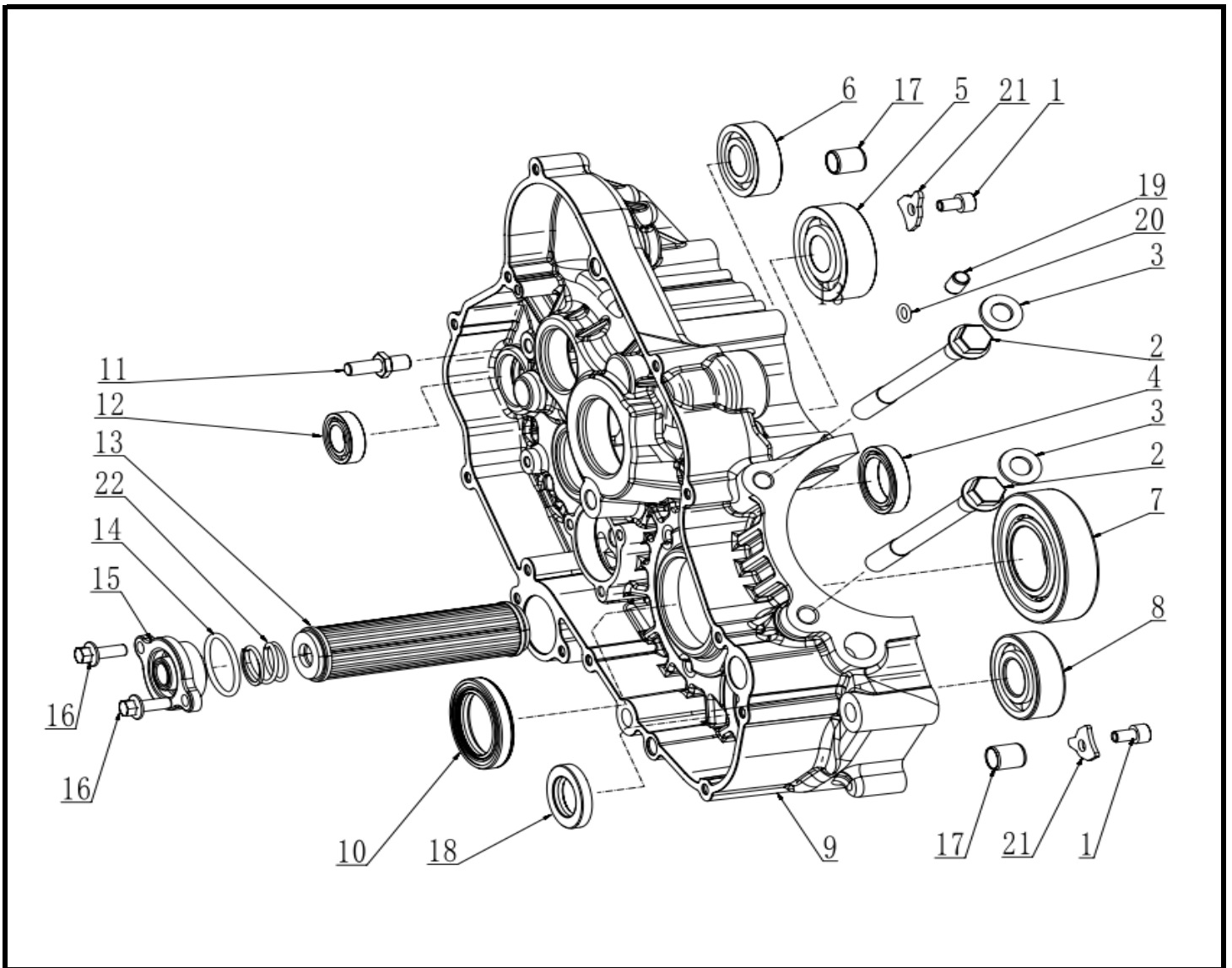
RIF	CODE	DESCRIPTION	Q.	Q.	Price CHF VAT Incl.	NOTE
16	02.SR.0816.L	BeaRing,(63/22Jr2C3)	1	1	30.50	
17	02.SR.0817.L	BeaRing,(6203Jr2C3)	1	1	13.80	
18	02.SP2.0818.L	Bearings	1	1	29.00	
19	02.SR.0819.L	BeaRing,(Csb204_Jr2C3)	1	1	31.10	
20	02.SR.0820.L	Rocker Arm Release Lever Clutch	1	1	9.10	
21	02.SR.0821.L	Oil Seal 14×22×5	1	1	1.40	
22	02.SR.0822.L	Washer,φ10.5×2×φ20	1	2	1.20	
23	02.SR.0823.L	Bolt	1	2	6.90	
24	02.SR.0824.L	Clutch Separating Rod	1	1	7.30	
25	02.SP2.0825.L	Oil Nozzle	1	1	2.30	
26	02.SP2.0826.L	Washer,φ10.5×1×φ16	1	1	1.20	
27	02.SP2.0827.L	Bolt,M10×12	1	1	1.20	
28	02.SR.0828.L	Baffle	1	1	1.20	
29	02.SR.0829.L	Bolt, M6×10	1	1	1.20	
30	02.SP2.0830.L	Strainer Oil Filter	1	1	8.00	
31	02.SP2.0831.L	Oil Seal, φ26×φ38×5	1	1	3.50	
32	02.SP2.0832.L	Oil Seal, φ40×φ55×5	1	1	5.70	
33	02.SP2.0833.L	Cylinder Plug	1	1	4.60	

9 - RIGHT CRANKCASE



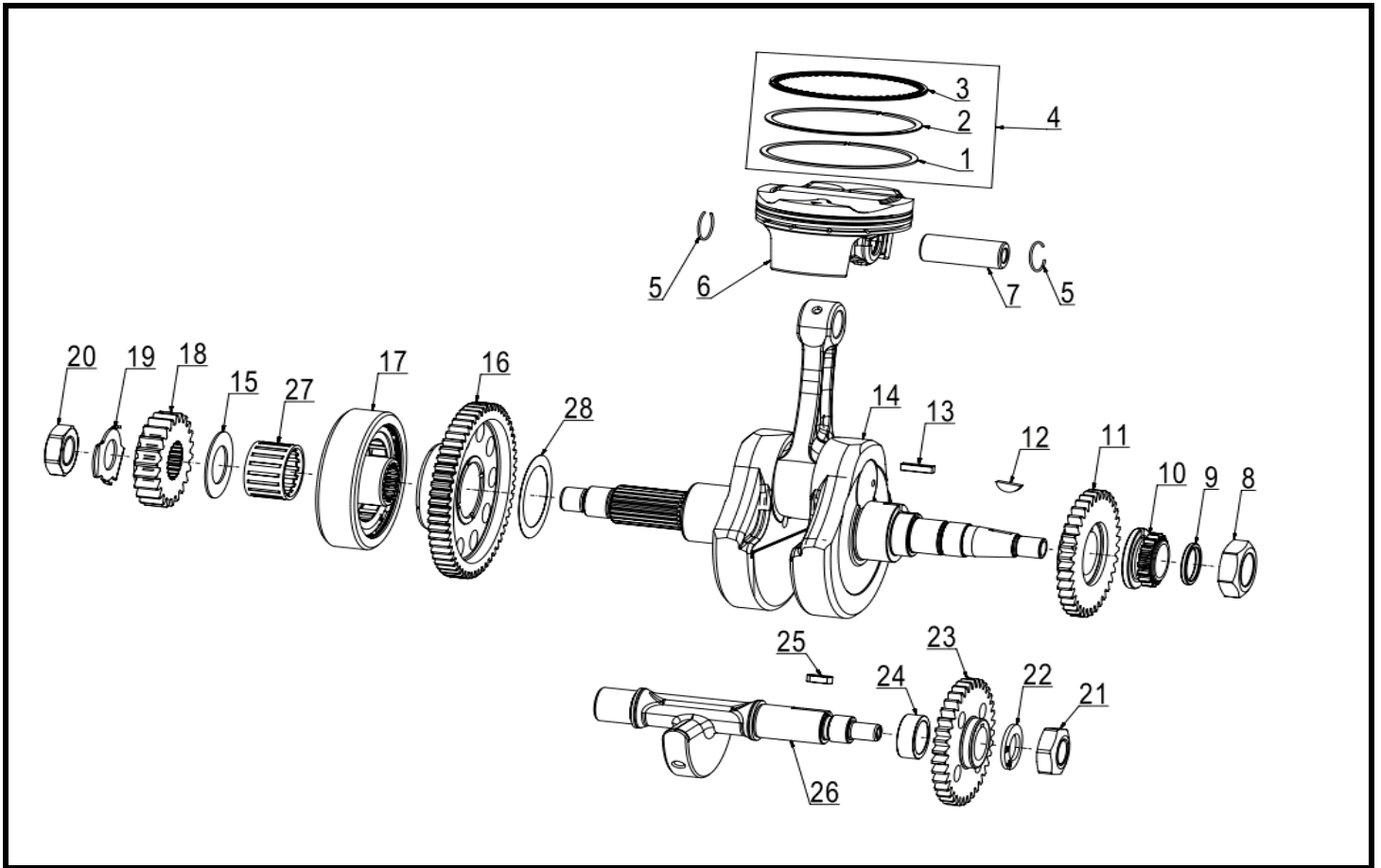
RIF	CODE	DESCRIPTION	Q.	Q.	Price CHF VAT Incl.	NOTE
1	02.SR.0829.L	Bolt, M6×10	1	2	1.20	
2	02.SR.0823.L	Bolt	1	2	6.90	
3	02.SR.0822.L	Washer,φ10.5×2×φ20	1	2	1.20	
4	02.SR.0815.L	BeaRing,(61805)	1	1	12.90	
5	02.SR.0817.L	BeaRing,(6203Jr2C3)	1	1	13.80	
6	02.SR.0906.L	BeaRing,(6304)	1	1	15.20	
7	02.SP2.0907.L	Bearings	1	1	31.90	
8	02.SR.0819.L	BeaRing,(Csb204_Jr2C3)	1	1	31.10	
9	02.SP2.0909.L	Right Crankcase Block	1	1	109.70	
10	02.SP2.0910.L	Oil Seal 35×50×7	1	1	4.50	
11	02.SR.0913.L	Bolt Return Springn Fixing	1	1	0.70	

9 - RIGHT CRANKCASE



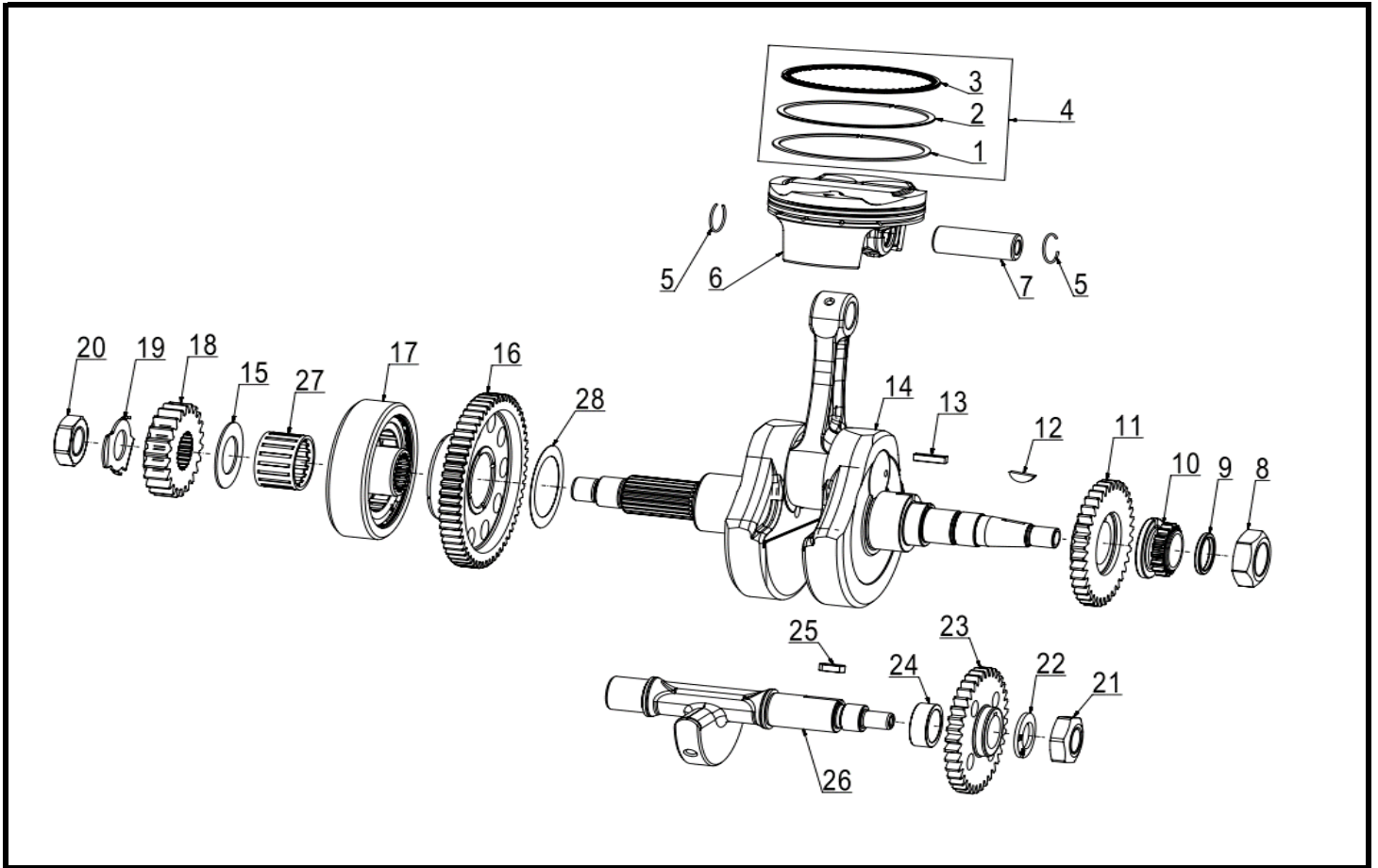
RIF	CODE	DESCRIPTION	Q.	Q.	Price CHF VAT Incl.	NOTE
12	02.SR.0814.L	Bearing, 61902	1	1	8.70	
13	02.SP2.0913.L	Oil Filter	1	1	17.30	
14	02.SR.0916.L	O-Ring, $\phi 30 \times 2.6$	1	1	1.20	
15	02.SR.0917.L	Cap Oil Filter	1	1	4.10	
16	02.SR.0918.L	Bolt, M6 \times 16	1	1	1.20	
17	02.SR.0201.L	Dowel Pin, $\phi 13 \times 14$	1	1	1.20	
18	02.SR.0920.L	Oil Seal 20 \times 35 \times 5	1	2	4.30	
19	02.SR.0310.L	Dowel Pin, $\phi 8 \times 12 \times \phi 6.3$	1	2	1.20	
20	02.SR.0922.L	O-Ring, $\phi 6.5 \times 1.9$	1	1	3.50	
21	02.SR.0828.L	Baffle	1	1	1.20	
22	02.SP2.0922.L	SpRing, Oil Fine Filter	1	1	3.50	

10 - CRANKSHAFT CONNECTING-ROD ASSY/PISTON



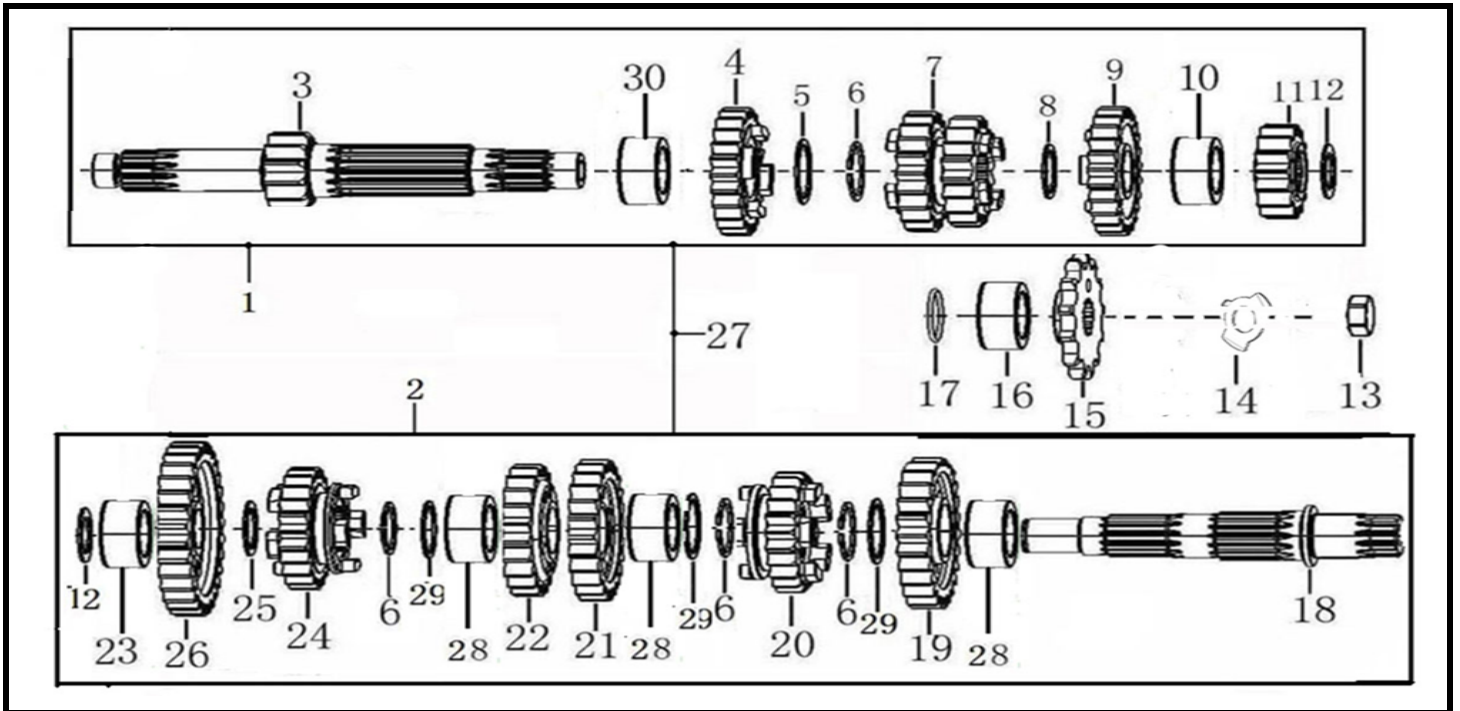
RIF	CODE	DESCRIPTION	Q.	Q.	Price CHF VAT Incl.	NOTE
4	02.SR.1004.L	Piston Ring,Comp	1	1	33.00	
5	02.SR.1005.L	Check Ring Piston Pin	1	2	1.80	
6	02.SP2.1006.L	Piston	1	1	52.30	
7	02.SP2.1007.L	Pin,Piston	1	1	10.80	
8	02.SR.1008.L	nut	1	1	6.00	
9	02.SR.1009.L	Washer,φ20×2.5×φ25	1	1	1.20	
10	02.SP2.1010.L	Gear	1	1	39.60	
11	02.SP2.1011.L	Driving Gear	1	1	27.90	
12	02.SR.1012.L	Semicircular Key	1	1	1.20	
13	02.SR.1013.L	Tabulate Key	1	1	1.20	
14	02.SP2.1014.L	Crank connecting rod member	1	1	215.90	

10 - CRANKSHAFT CONNECTING-ROD ASSY/PISTON



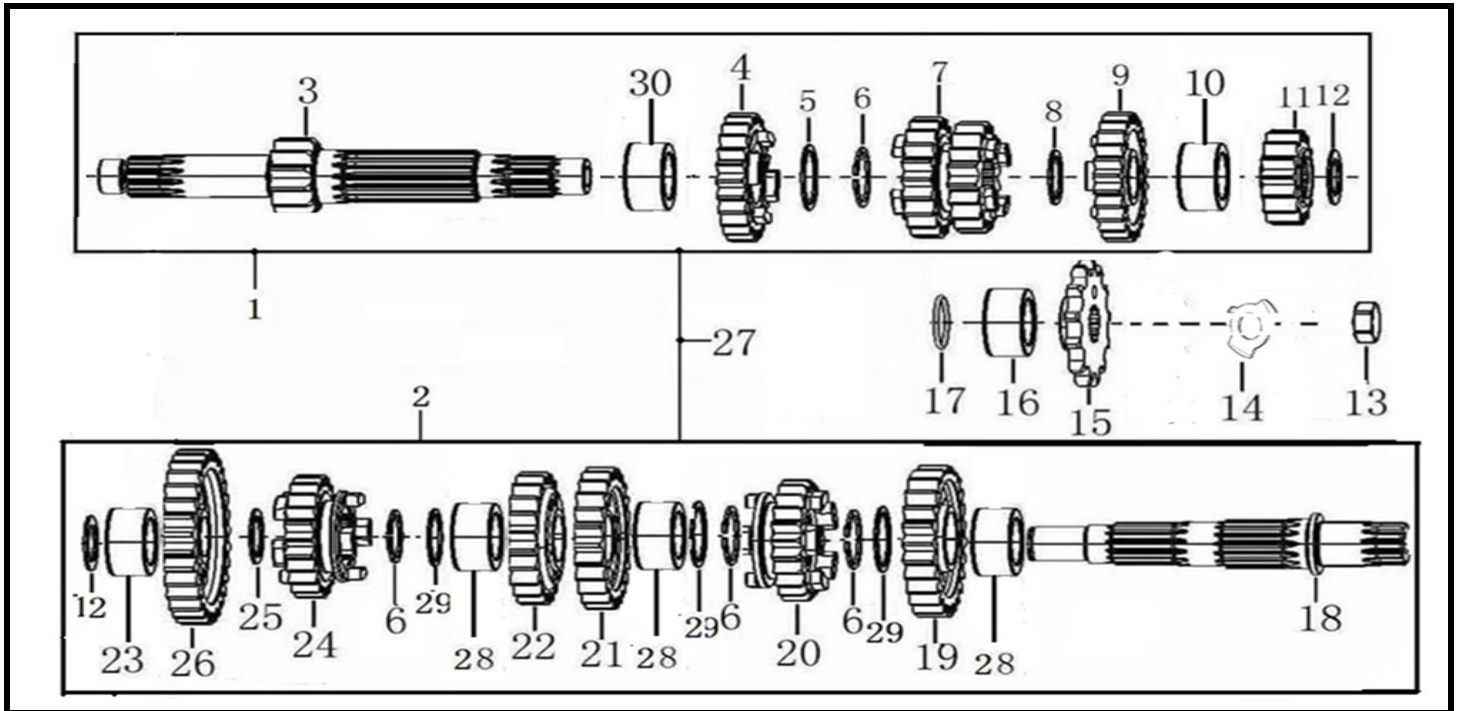
RIF	CODE	DESCRIPTION	Q.	Q.	Price CHF VATIncl.	NOTE
15	02.SR.1015.L	Washer,φ23×1×φ40	1	1	2.30	
16	02.SR.1016.L	Plate Gear Assy	1	1	32.30	
17	02.SR.1017.L	Assembly Overrunning Clutch	1	1	79.60	
18	02.SR.1018.L	Primary Drive Gear	1	1	26.40	
19	02.SR.1019.L	Stop Washer	1	1	2.30	
20	02.SR.1020.L	Nut M18	1	1	5.00	
21	02.SR.0608.L	Lock Nut,Clutch	1	1	4.90	
22	02.SR.1022.L	Dish Washer,Clutch	1	1	2.30	
23	02.SP2.1023.L	Driven Gear	1	1	51.20	
24	02.SP2.1024.L	Balance driven shaft sleeve	1	1	3.10	
25	02.SR.1025.L	Tabulate Key	1	1	1.20	
26	02.SP2.1026.L	Balance Shaft	1	1	77.10	
27	02.SR.1027.L	Needle BeRing,(K29×33×20)	1	1	11.50	
28	02.SP2.1028.L	Washer	1		1.20	

11 - TRANSMISSION MAIN,COUNTER SHAFT



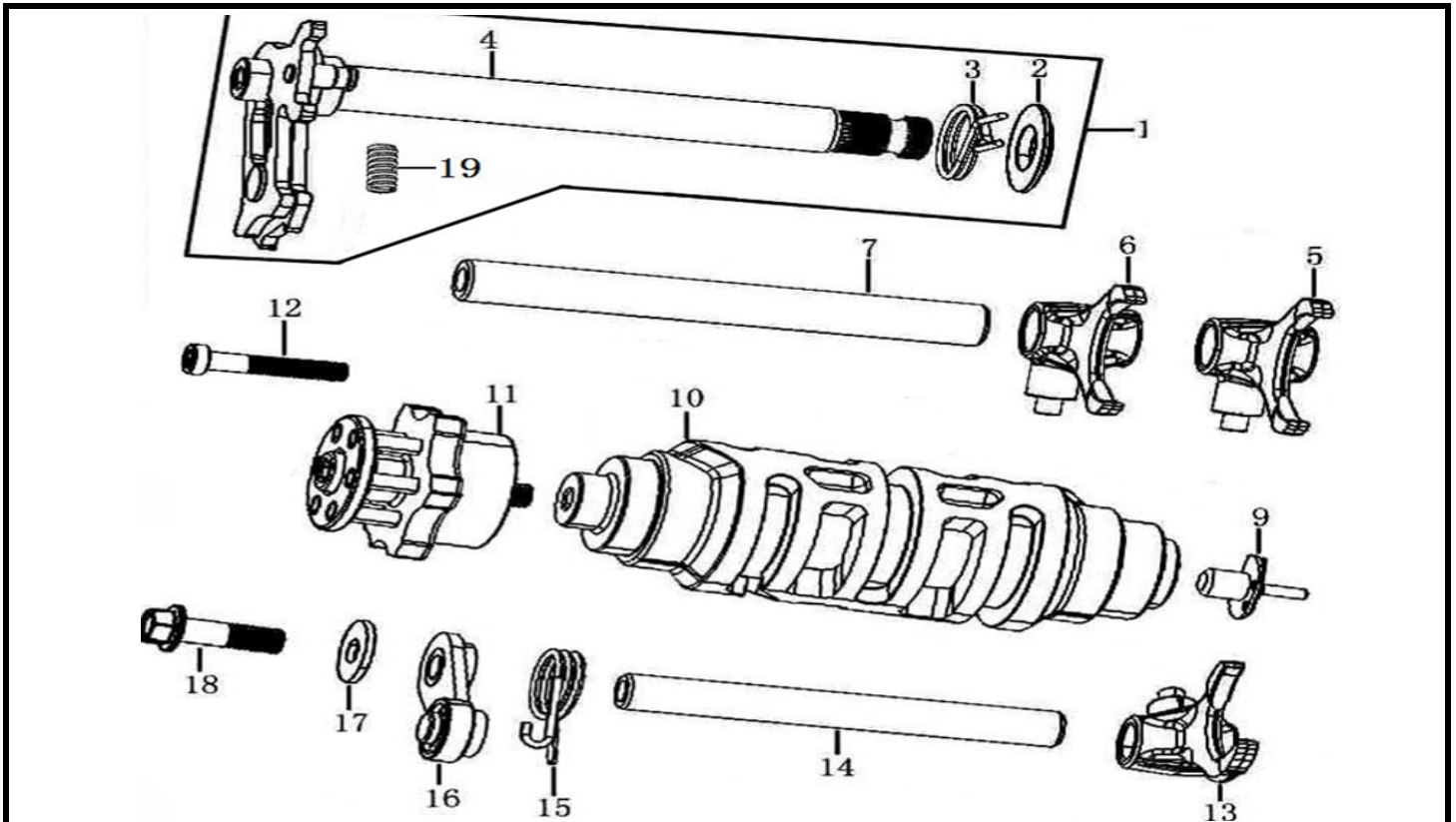
RIF	CODE	DESCRIPTION	Q.	Q.	Price CHF VATIncl.	NOTE
1	02.SR.1101.L	Main Shaft Transmission	1	1	200.40	
2	02.SR.1102.L	Coutershaft Transmission	1	1	277.20	
3	02.SR.1103.L	Transmission Main Shaft	1	1	93.60	
4	02.SR.1104.L	Gear M-5	1	1	26.90	
5	02.SR.1105.L	Washer,25.2×1×33	1	1	2.30	
6	02.SR.1106.L	Circlip	1	4	1.20	
7	02.SR.1107.L	Gear M-3、 4	1	1	37.30	
8	02.SR.1108.L	Washer,φ20.2×1×φ28	1	1	1.20	
9	02.SR.1109.L	Gear M-6	1	1	43.30	
10	02.SR.1110.L	Needle BeaRing,(K20×24×10)	1	1	23.60	
11	02.SR.1111.L	Gear M-2	1	1	11.10	
12	02.SR.1112.L	Washer,φ17.1×1×φ26	1	2	2.30	
13	02.SR.1113.L	Nut	1	1	5.00	
14	02.SR.1114.L	Stop Washer	1	1	2.30	
16	02.SR.1116.L	Bush	1	1	7.40	

11 - TRANSMISSION MAIN,COUNTER SHAFT



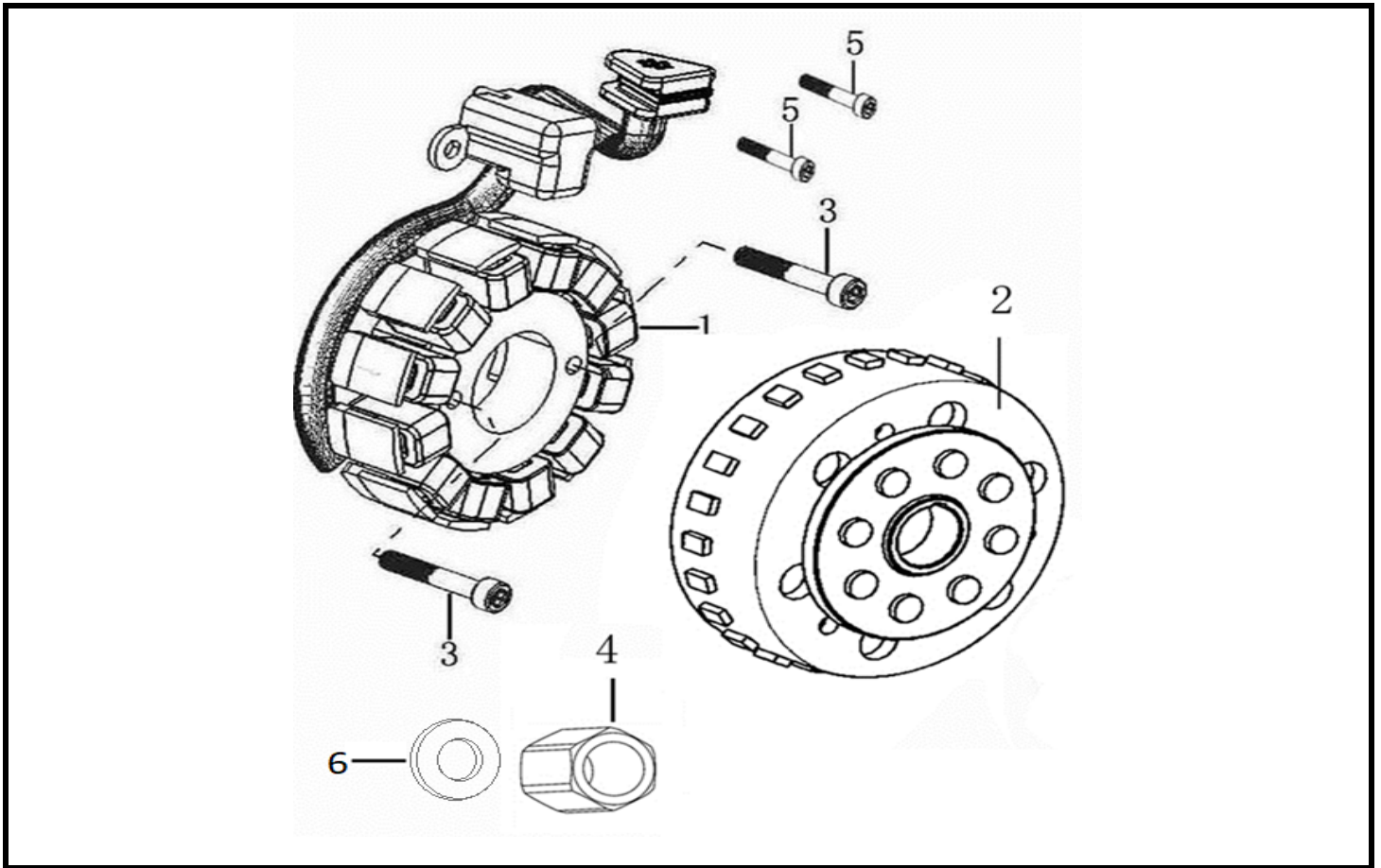
RIF	CODE	DESCRIPTION	Q.	Q.	Price CHF VATIncl.	NOTE
17	02.SR.1117.L	O-Ring,φ21×2	1	1	2.30	
18	02.SR.1118.L	Transmission Counter Shaft	1	1	67.40	
19	02.SR.1119.L	Gear C-2	1	1	44.40	
20	02.SR.1120.L	Gear C-6	1	1	26.90	
21	02.SR.1121.L	Gear C-3	1	1	32.80	
22	02.SR.1122.L	Gear C-4	1	1	37.40	
23	02.SR.1123.L	Metal Bush	1	1	2.30	
24	02.SR.1124.L	Gear C-5	1	1	28.80	
25	02.SR.1125.L	Washer,φ19×1×φ26	1	1	1.20	
26	02.SR.1126.L	Gear C-1	1	1	48.10	
27	02.SR.1127.L	Transmission Main,Counter Shaft	1	1	396.50	
28	02.SR.1128.L	Needle BeRing,(Ks22×26×10Tn)	1	3	16.40	
29	02.SR.1129.L	Washer	1	3	1.20	
30	02.SR.1130.L	Needle BeRing,(K25×29×10)	1	1	27.10	

12 - GEARSHIFT MECHANISM



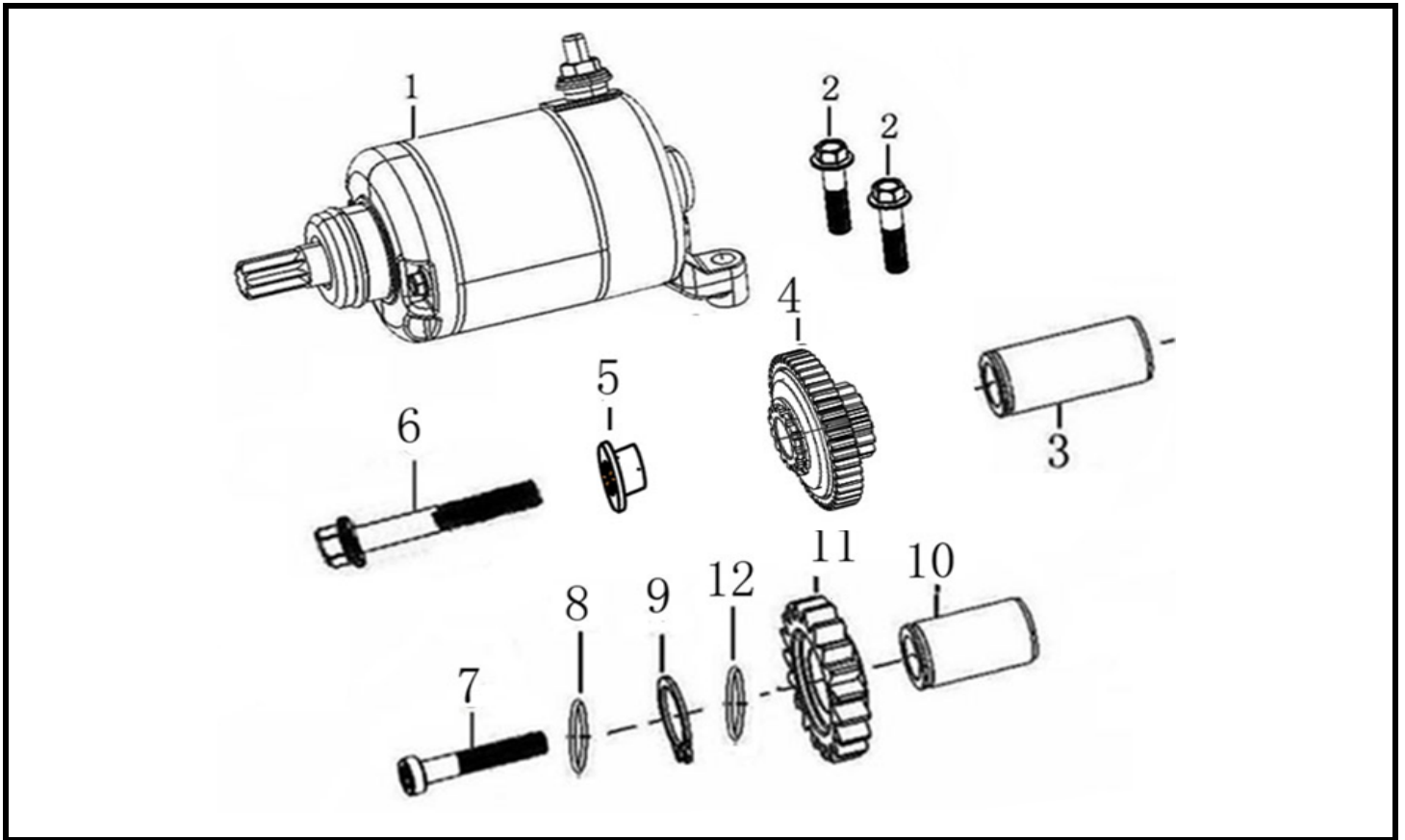
RIF	CODE	DESCRIPTION	Q.	Q.	Price CHF VAT Incl.	NOTE
1	02.SR.1201.L	Gearshift Lever Comp	1	1	34.10	
2	02.SR.1202.L	Axle Sleeve	1	1	1.60	
3	02.SR.1203.L	Return Spring	1	1	1.30	
4	02.SR.1204.L	Gearshift Shaft Comp	1	1	22.90	
5	02.SR.1205.L	Right Fork Countershaft	1	1	7.00	
6	02.SR.1206.L	Left Fork Countershaft	1	1	7.00	
7	02.SR.1207.L	Guide Pin, Selector Fork Center	1	1	5.50	
9	02.SR.1209.L	Contact Cearindication	1	1	1.20	
10	02.SR.1210.L	Gearshift Drum Comp	1	1	21.60	
11	02.SR.1211.L	Stopping Plate	1	1	27.30	
12	02.SR.1212.L	Bolt, M6x35	1	1	1.20	
13	02.SR.1213.L	Center Fork Mainshaft	1	1	6.50	
14	02.SR.1214.L	Shaft Gearshift Fork	1	1	4.10	
15	02.SR.1215.L	SpRing, Locating Plate	1	1	1.20	
16	02.SR.1216.L	Locating Plate Assy	1	1	5.70	
17	02.SR.1217.L	Washer, φ6.5x1.5xφ18	1	1	1.20	
18	02.SR.0110.L	Bolt, M6x20	1	1	1.20	
19	02.SR.1219.L	SpRing, Gearshift Plate	1	1	1.20	

13 - MAGNETO COMP



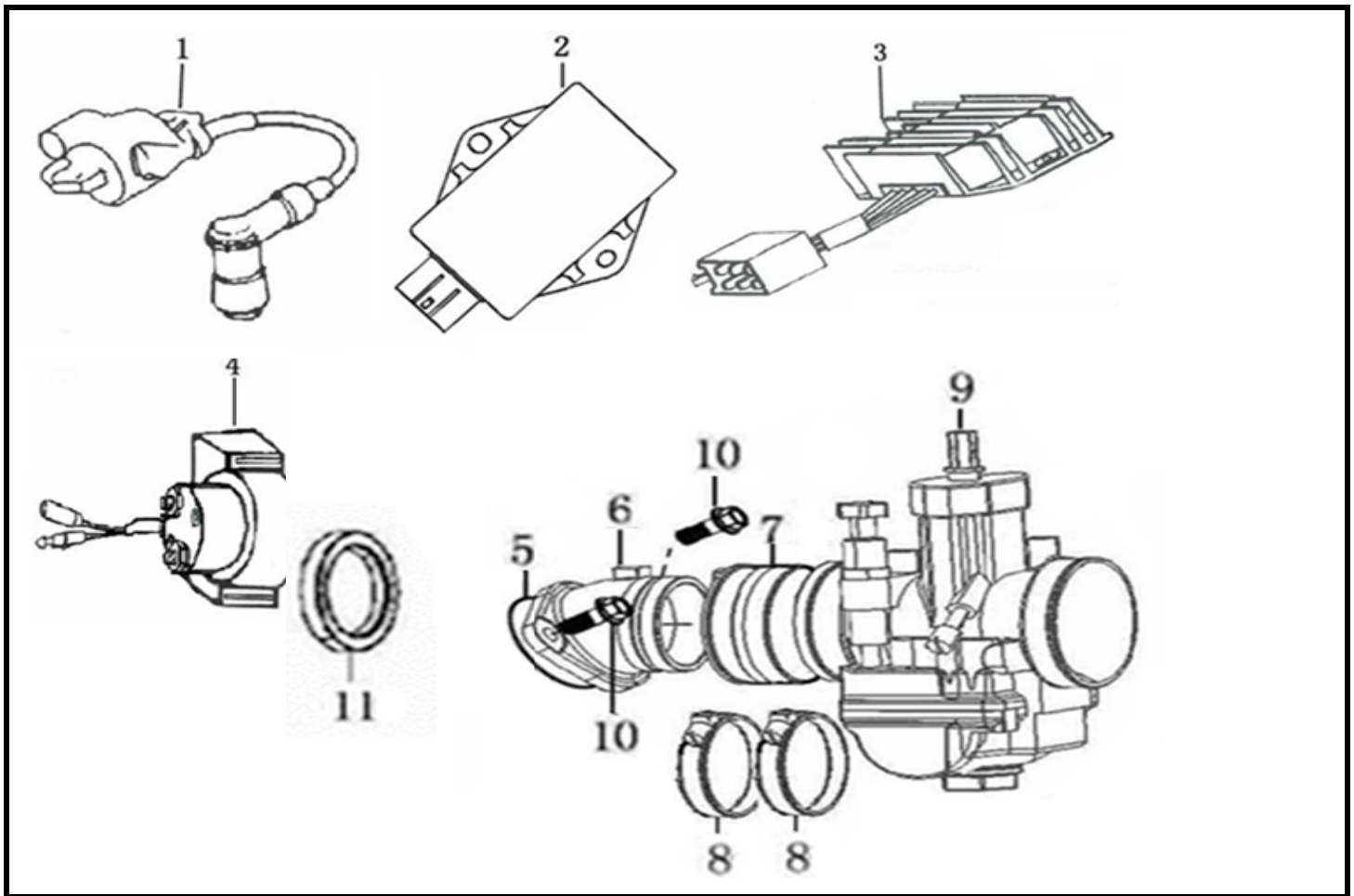
RIF	CODE	DESCRIPTION	Q.	Q.	Price CHF VATIncl.	NOTE
1	02.SR.1301.L	Stator Assy Magneto	1	1	75.50	
2	02.SR.1302.L	Rotor Assy Magneto	1	1	62.80	
3	02.SR.1303.L	Bolt, M5×30	1	2	1.20	
4	02.SR.1304.L	Nut	1	1	3.50	
5	02.SR.1305.L	Bolt, M5×10	1	2	1.20	
6	02.SR.1306.L	Washer	1	1	2.30	

14 - ELECTRIC STARTING MECHANISM



RIF	CODE	DESCRIPTION	Q.	Q.	Price CHF VATIncl.	NOTE
1	02.SR.1401.L	Starting Motor Assy	1	1	147.50	
2	02.SR.0203.L	Bolt, M6×25	1	2	1.20	
3	02.SP2.1403.L	Shaft Reduction	1	1	6.90	
4	02.SR.1404.L	Gear Reduction 1	1	1	45.50	
5	02.SR.1405.L	Duplex Gear	1	1	1.80	
6	02.SR.1406.L	Bolt, M6×50	1	1	2.50	
7	02.SR.1407.L	Bolt, M6×40	1	1	1.20	
8	02.SR.1408.L	Washer, φ6	1	1	1.20	
9	02.SR.1409.L	Retaining Ring, 15	1	1	1.20	
10	02.SR.1410.L	Shaft Reduction	1	1	5.70	
11	02.SR.1411.L	Gear Reduction	1	1	8.60	
12	02.SR.1412.L	Washer, φ15.2×0.5×φ23	1	1	1.20	

15 - ELECTRIC and CARBURETOR



RIF	CODE	DESCRIPTION	Q.	Q.	Price CHF VAT Incl.	NOTE
1	02.SR.1501.L	Ignition Coil	1	1	34.10	
2	02.SP2.1502.L	CDI SP-2	1	1	85.30	
3	02.SR.1503.L	Rectifier	1	1	34.10	
4	02.SR.1504.L	Relay	1	1	21.60	
5	02.SP2.1505.L	Inlet pipe seal ring	1	1	3.50	
6	02.MO.0172.L	Inlet Pipe	1	1	31.90	
7	02.MO.0173.L	Connecting Pipe	1	1	23.90	
8	02.MO.0174.L	Clamp Inlet Pipe	1	2	4.70	
9	02.MO.0160.L	CARBURET. DELL'ORTO PHM 40 SP-2	1	1	363.60	
	02.MO.0169.L	AIR FILTER ADAPTER SP-2	1	2	16.00	
10	02.SR.0918.L	Bolt, M6x18	1	2	1.20	
11	02.SR.0106.L	Packing Silencer gasket	1	1	3.50	